

RE55 CONTROLLER

FEATURES:

- on/off algorithm
- Password protection
- PID algorithm
- Auto-tuning



- Temperature input (thermocouple or resistance thermometer).
- Control output: relay or transistor.
- Alarm output: relay (option).
- Control: on/off of PID with auto-tuning (option).
- Setting of the set point value by means of the knob.
- Programming push-buttons (option).

INPUT:

- Isolation symbol
- Ground symbol

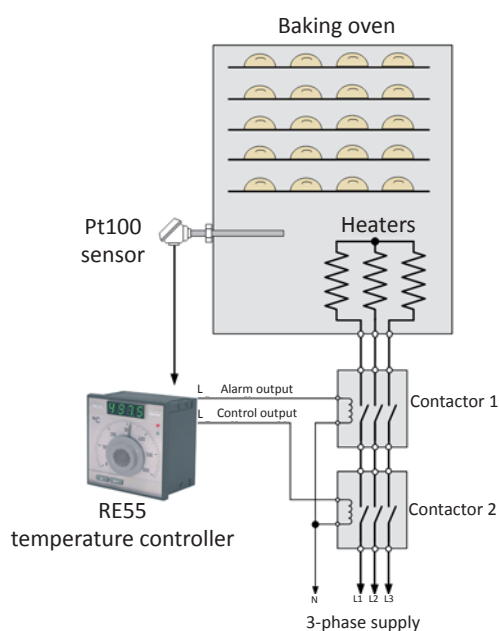
OUTPUTS:

- SSR output
- Relay output symbol

GALVANIC ISOLATION:

- Isolation symbols
- Supply symbol

EXAMPLE OF APPLICATION



Temperature control in a baking oven.

INPUT

Input type	Range	Error	Basic error
Pt100	-50 .. 100°C	0.8°C	Compensation of thermocouple cold junction temperature changes: ≤ 2°C
Pt100	0 .. 100°C	0.5°C	
Pt100	0 .. 150°C	0.8°C	
Pt100	0 .. 250°C	1.3°C	Ambient temperature change: ≤ 100% of basic error/ 10 K
Pt100	0 .. 400°C	2.0°C	
Pt100	0 .. 600°C	3.0°C	Resistance thermometer line resistance change: ≤ 50% of basic error
Fe-CuNi (J)	0 .. 250°C	2.0°C	
Fe-CuNi (J)	0 .. 400°C	2.0°C	
Fe-CuNi (J)	0 .. 600°C	3.0°C	
Fe-CuNi (J)	0 .. 900°C	4.0°C	
NiCr-NiAl (K)	0 .. 600°C	3.0°C	
NiCr-NiAl (K)	0 .. 900°C	4.0°C	
NiCr-NiAl (K)	0 .. 1300°C	6.0°C	
PtRh10-Pt (S)	0 .. 1600°C	8.0°C	

OUTPUT

Output type	Properties	Remarks
Relay (control)	- 1 output	switch-over contact, 2 A/ 230 V
Transistor voltage (control)	- 1 output 5 V	resistance limiting the current 10 Ω, without isolation from input side
Relay (alarm)	- 1 output	NO contact, 1 A/ 230 V

Export department:
 English: +48 68 32 95 302 / 321 / 276 / 386 / 233
 German: +48 68 32 95 305
 French: +48 68 32 95 304
 Russian: +48 68 32 95 321
 Fax: +48 68 32 54 091
 e-mail: export@lumel.com.pl

LUMEL S.A.
 ul. Sulechowska 1
 65-022 Zielona Góra
 POLAND

WWW.LUMEL.COM.PL

EXTERNAL FEATURES

Readout field	LED	10 mm, 4 digits
Overall dimensions	96 × 96 × 65 mm	
Weight	< 0.3 kg	
Protection grade	from frontal side: IP40	from terminal side: IP20

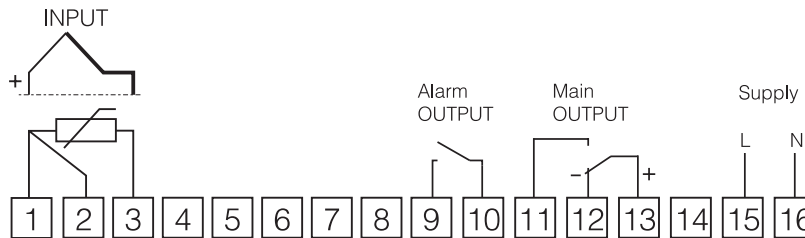
RATED OPERATING CONDITIONS

Supply voltage	85 .. 253 V d.c./a.c.	frequency: 40 .. 440 Hz
Temperature	ambient: 0...23...50°C	storage: -20...70°C
Humidity	< 85% without condensation	
Operating position	any	
External magnetic field	< 400 A/m	
Power input	< 4 VA	

SAFETY AND COMPATIBILITY REQUIREMENTS

Electromagnetic compatibility	noise immunity	acc. to EN 61000-6-2
	noise emissions	acc. to EN 61000-6-4
Pollution level	2	
Installation category	III	
Maximum phase-to-earth operating voltage	for supply circuit, output: 300 V	for input circuits: 50 V
Altitude above sea level	up to 2000 m	

CONNECTION DIAGRAMS



ORDERING

RE55 -		XX	X	X	XX	X
Input:						
Pt100/1.3850	-50..100°C	01				
	0..100°C	02				
	0..150°C	03				
	0..250°C	04				
	0..400°C	05				
	0..600°C	06				
Fe-CuNi (J)	0..250°C	07				
	0..400°C	08				
	0..600°C	09				
	0..900°C	10				
NiCr-NiAl (K)	0..600°C	11				
	0..900°C	12				
PtRh10-Pt (S)	0..1300°C	13				
as per order*	0..1600°C	14				
		99				
Option:						
on/off controller			1			
PID controller			2			
configurable controller with push-buttons			3			
Control output:						
relay				1		
voltage 0/5 V				2		
Version:						
standard					00	
custom-made*					XX	
Additional quality requirements:						
without additional quality requirements						8
with an extra inspection quality certificate						7
acc. to customer's request**						X

Order example:

The code: **RE55 - 02 1 1 00 8** means:

- RE55** - controller of RE55 type
- 02** - input Pt100: 0..100°C
- 1** - on/off control
- 1** - control output: relay
- 00** - standard version
- 8** - without additional quality requirements.

* after agreeing with the manufacturer

** the ordering code will be established by the manufacturer

SEE ALSO:



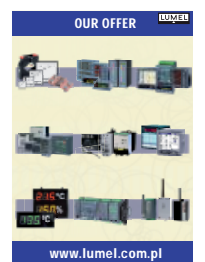
Temperature sensors.



SSR relay of LU series.



Controllers RE71 and RE81.



For more information about LUMEL's products please visit our website: www.lumel.com.pl

Export department:

English: +48 68 32 95 302 / 321 / 276 / 386 / 233
German: +48 68 32 95 305
French: +48 68 32 95 304
Russian: +48 68 32 95 321
Fax: +48 68 32 54 091
e-mail: export@lumel.com.pl

LUMEL S.A.
 ul. Sulechowska 1
 65-022 Zielona Góra
 POLAND

WWW.LUMEL.COM.PL